

# Unapproved Summary of Motions

April 8-9, 2016



## ApHC Board of Directors Regular Meeting

*These motions are in draft form (unapproved) and will be finalized, published and distributed in accordance with Article IV, Section 9 of the Bylaws of the Appaloosa Horse Club and ApHC Rule 70.*

Those Board members in attendance for all or part of the Board of Directors regular meeting April 8-9, 2016 were Ray Burchett, Todd Davis, Deb Dyer, Leslie Foxvog, Lesli Glen, Jim Jirkovsky, Deborah Letham, Wiebe Lise, Chuck McWhirter, Todd Michael, Mary Ann Page, Dena Raggio, Lori Richards, Diane Rushing, Valerie Showalter, Bill Thiel, Lynette Thompson and Jack Zuidema. Brian Irvin was absent. ApHC officers, staff present in person for all or part of this meeting were CEO, Steve Taylor; Treasurer, Tina Rea; Performance Department Supervisor, Keri LeForce; Marketing Director, Ashleigh Brown; and IT Department Supervisor, Dave O'Keefe.

**BOD Motion 01-04-16:** The 2016 ApHC Board of Directors moves to approve the Summary of Motions as published with the following corrections (in red):

**BOD Motion 19-09-15:** The ApHC Board of Directors accepts approval motion 28-03-15 and hereby moves to approve Rule 204.C as follows: An approved breed registered horse with white markings which are determined by the ApHC Registrar to be an Appaloosa coat pattern, and which tests positive for the LP-complex gene, is eligible for regular registration with the ApHC.

...

**Motion made by** Deb Dyer, seconded by Dena Raggio.

Diane Rushing - President	Bill Thiel - No	Mary Ann Page - Yes
Deb Dyer - Yes	Jack Zuidema - Yes	Lori Richards - No
Lesli Glen - No	Todd Davis - Yes	Valerie Showalter - Yes
Ray Burchett - No	Leslie Foxvog - Yes	Lynette Thompson - <b>Yes No</b>
Jim Jirkovsky - Yes	Brian Irvin - Yes	Wiebe Lise - Yes
Debby Letham - Yes	Todd Michael - Yes	Chuck McWhirter - Yes
Dena Raggio - Yes		

**BOD Motion 31-09-15:** The 2015 ApHC Board of Directors moves to accept Rules Committee Recommendation 13-06-15 as amended by Motion 30-09-15 to Rule 703.A.2 as approved by BOD Motions 24-03-15 and 25-03-15 to read as follows:

### 703. WORLD CHAMPIONSHIP APPALOOSA SHOW

#### A. QUALIFYING REQUIREMENTS—OPEN CLASSES

...

2. Under the regional club/international partner system, a regional organization or international partner officially recognized as an affiliate in good standing with the ApHC may qualify up to its top nine (9) horses for the World Championship Appaloosa Show in each class. In order for a regional club or international partner to be eligible to nominate horses for the World Championship Appaloosa Show under this system, that club/partner must have sponsored, or co-sponsored at least one ApHC-approved **point event show which is judged by at least one ApHC-approved judge and is held within that World nomination cycle, i.e. for the 2016 World nomination cycle events are held from September 1, 2015 to August 31, 2015 2016.** ~~In that qualifying year and that regional club or in-~~

~~International partner may only nominate horses in classes in which such horses exhibited in that club's or partner's sponsored, pointed or co-sponsored show.~~

Motion made by Deb Dyer, seconded by Ray Burchett  
Motion passed unanimously.

**BOD Motion 02-04-16:** The 2016 ApHC Board of Directors moves to approve the Summary of Motions from the December 14, 2015 ApHC Board of Directors Conference Call and January 1, 2016 ballot motions as published.

Motion made by Deb Dyer, seconded by Diane Rushing  
Motion passed unanimously.

**BOD Motion 03-04-16:** The 2016 ApHC Board of Directors moves to approve Summary of Motions from the January 13, 2016 ApHC Board of Directors Conference Call as published.

Motion made by Lynette Thompson, seconded by Mary Ann Page  
Motion passed unanimously.

**BOD Motion 04-04-16:** The 2016 ApHC Board of Directors moves to approve the Consent Agenda, with the exclusion of Motion 49-09-14 as follows:

#### 741. WORKING COW HORSE

...

- D. The judge should take into consideration the size of the arena, condition of the ground and disposition of the cattle in scoring each work. If ground, arena and/or weather conditions are deemed unfavorable by the exhibitors, they may inform the judge who may elect to alter the required cattle work for safety reasons.

...

2. Allowing the horse to quit working after 30 seconds has elapsed and before the judge signals for a new cow, will result in a zero score. The judge may blow his/her whistle at any time to terminate the work. A score of zero will be given if the work is not complete at that point. If a new cow is called, judging and time will start over with the new cow. With a multiple judge system, any one of the judges may signal for a new cow. Judging ends when the whistle blows.

- a. The judge may blow his/her whistle at any time during the work - one whistle to terminate the work, two whistles to award a new cow.**

...

- F. Scoring will be on a basis of 60 to 80 with 70 denoting an average performance. The same basis of scoring shall apply to both the reined work and cow work. In the event of a tie, the entry with the highest cow work will be declared the winner. If still tied, a work-off on the cattle work will be required.

...

5. Zero (0) score

...

- e. During the cow work, use of two hands on the reins, except with junior horses ridden two handed in an acceptable snaffle bit or bosal
- i. The non-rein hand is not allowed, at any time, to touch the reins or a score of -0 will be applied. The rider is allowed to shorten the reins while the horse is in motion as long as their hands are held in a legal manner.**
- ii. If the hand holding the romal touches the closed part of the reins it is considered two hands on the reins.**

**BOD Motion 23-09-15:** The 2015 ApHC Board of Directors moves to accept Rules Committee Recommendation proposed changes to Rule 502 as approved by BOD Motion 24-03-15 by adding the following preface:

#### 502. GUEST JUDGES PERMIT

**Receiving an ApHC guest judge permit is a privilege granted by the ApHC, not a right. Any person who has been removed from the ApHC judges list for any violations of ApHC rule 500 C and/or E shall be ineligible to hold a Guest Judges Permit.**

- A. The ApHC may grant a Guest Judge Permit to individuals meeting requirements per this rule. Guest judges may judge a maximum of two ApHC-approved shows. Thereafter, ApHC requests that Guest Judges apply for and receive ApHC judging credentials to continue judging ApHC-approved shows.
- B. Regional Clubs or International Affiliates sponsoring an ApHC-approved show must request permission from the ApHC to hire a guest judge. For shows offering a wide variety of classes, the ApHC may grant a Guest Judge Permit to individuals holding judging credentials with the American Quarter Horse Association (AQHA), American Paint Horse Association (APHA), Palomino Horse Breeders of America (PHBA), Pinto Horse Association of America (PtHA), Pony of the Americas (POA) International Buckskin Horse Association (IBHA), American Buckskin Registry Association, Inc. (ABRA), or any other horse breed association or equine organization that the ApHC deems to be reputable and suitable.
- C. Regional Clubs or International Affiliates sponsoring an ApHC-approved show may request permission from the ApHC to hire a guest judge. For shows offering reining, working cow horse, boxing, cutting or over-fence classes, the ApHC may grant a Guest Judge Permit to individuals holding judging credential with the appropriate organization including the National Reining Horse Association (NRHA), the National Reined Cow Horse Association (NRCHA), the National Cutting Horse Association (NCHA) or the United States Equestrian Federation (USEF).
- D. Guest judges agree to abide by all rules contained ~~herein~~ in the *Official Handbook of the ApHC* and are subject to all disciplinary rules contained therein.

- E. In order to receive Guest Judging status with ApHC, the judge must meet the following conditions a minimum of 30 days prior to judging:
1. Judge must certify their credentials in the appropriate association.
  2. Judge must be a current-year ApHC member in good standing.
  3. Judge must pass a written ApHC rulebook test. Test may be abbreviated to contain questions pertaining to only those classes offered at the approved show for which the judge is being considered.
  4. Judge must agree to abide by all ApHC rules while judging the ApHC-approved event and be subject to all rules contained in the Official Handbook of the ApHC including disciplinary rules.

**BOD Motion 24-09-15:** The 2015 ApHC Board of Directors moves to accept Rules Committee Recommendation 07-06-15 proposed changes to Rule 502.A as approved by BOD Motion 24-03-15 and 25-03-15 follows:

**502. GUEST JUDGES PERMIT**

- A. The ApHC may grant a Guest Judge Permit to individuals meeting requirements per this rule. Guest judges may judge a **lifetime** maximum of two **single-judge or multi-judge** ApHC-approved shows. Thereafter, ApHC requests that Guest Judges ~~must~~ apply for ~~and receive~~ ApHC judging credentials to continue judging ApHC-approved shows.

**BOD Motion 25-09-15:** The 2015 ApHC Board of Directors moves to accept Rules Committee Recommendation 08-06-15 proposed changes to Rule 502.B as approved by BOD Motions 24-03-15 and 25-03-15 as follows:

**502. GUEST JUDGES**

...

- B. Regional Clubs or International Affiliates sponsoring an ApHC-approved show must request permission from the ApHC to hire a guest judge. ~~For shows offering a wide variety of classes, the ApHC may grant a Guest Judge Permit to individuals holding judging credentials with the American Quarter Horse Association (AQHA), American Paint Horse Association (APHA), Palomino Horse Breeders of American (PHBA), Pinto Horse Association of America (PtHA), Pony of the Americas (POA) International Buckskin Horse Association (IBHA), American Buckskin Registry Association, Inc. (ABRA), or any other horse breed association or equine organization that the ApHC deems to be reputable and suitable.~~
1. For Regional club or International Affiliate events offering a wide variety of classes, the ApHC may grant a Guest Judge Permit to individuals holding judging credentials with:
    - a. American Quarter Horse Association (AQHA)
    - b. American Paint Horse Association (APHA)
    - c. Palomino Horse Breeders of American (PHBA)
    - d. Pinto Horse Association of America (PtHA)
    - e. Pony of the Americas (POA)
    - f. International Buckskin Horse Association (IBHA)
    - g. American Buckskin Registry Association, Inc. (ABRA)
    - h. The ApHC reserves the right to add or subtract from these organizations as they deem necessary.
  2. For Regional club or International Affiliate events who limit the classes being offered to reining, working cow horse or boxing, cutting or over-fence classes, the ApHC may grant a Guest Judge Permit to individuals holding judging credential with organizations granting credentials specific to those classes:
    - a. National Reining Horse Association (NRHA)- reining
    - b. National Reined Cow Horse Association (NRCHA)- reining, working cow horse, boxing
    - c. National Cutting Horse Association (NCHA) – cutting, boxing
    - d. United States Equestrian Federation (USEF)- over fence classes
    - e. The ApHC reserves the right to add or subtract from these organizations as they deem necessary.

**BOD Motion 45-09-15:** The 2015 ApHC Board of Directors moves to approve Rules Committee Recommendation 07-08-15 as follows:

**901. NON-PRO CLASSES**

...

**E. Non-Pro Walk- Trot:**

...

4. Once a non-pro exhibitor shows in a three gaited class at an ApHC-approved or sponsored event or show during the calendar year they may not show in a non-pro walk-trot division class for the remainder of that calendar year. Otherwise there are no restrictions on how long a non-pro exhibitor may show in walk-trot classes.

**Intent-** to make non-pro walk/trot classes similar to youth walk/trot rules.

**Motion made by** Debby Letham, seconded by Deb Dyer

**Motion passed unanimously.**

*BOD Motion 04-04-16 will be effective January 1, 2017.*

**BOD Motion 05-04-16:** The 2016 ApHC Board of Directors moves to approve BOD Motion 49-09-15 regarding Rule 211 to allow members the option to reserve a name for a three-year calendar year for a fee of \$100 as follows:

#### 211. NAME CHOICES

...

- B. Reserved names. **The ApHC allows current members to pay a fee of \$100 to reserve a registered name. This reservation continues for the length of three consecutive (3) calendar years (expiring December 31st as corresponds with membership), provided that the member remains current for all three years. This reservation is non-transferable.**

ApHC has discontinued the reservation of breeder, bloodline and ranch names. Following is a list of previously-reserved breeder, bloodline and ranch names and the name and registration number of the horse or the name of the ranch to which it refers.

**Motion made by** Deb Dyer, seconded by Debby Letham.

**Motion passed unanimously.**

*The timeline in which BOD Motion 05-04-16 will be implemented shall be dependent on programming availability.*

**BOD Motion 06-04-16:** The 2016 ApHC Board of Directors moves to amend Approval Motion 20-09-15 regarding Rule 715 as follows:

#### 715. WESTERN PERFORMANCE

##### A. EQUIPMENT

...

7. Whenever this handbook refers to a romal, it means an extension of braided material attached to closed reins. This extension may be carried in the free hand with a 16-inch (40.64 cm) spacing between the reining hand and the free hand holding the romal. When using a romal, the rider's hand shall be around the reins with the wrist kept straight and relaxed, the thumb on top and the fingers closed around the reins. When using the romal, no fingers between the reins are allowed. ~~The free hand may be used to adjust the rider's length of reins while working except in reining and working cow horse (reined work). During reining and working cow horse (reined work),~~ Use of the free hand while holding the romal to alter the tension or length of the reins from the bridle to reining hand is considered to be use of two hands and score of 0 will be applied, with the exception of any place a horse is allowed to be completely stopped during the pattern.

**Motion made by** Debby Letham, seconded by Diane Rushing.

**Motion passed unanimously.**

*BOD Motion 06-04-16 will be effective January 1, 2017.*

**BOD Motion 07-04-16:** The 2016 ApHC Board of Directors moves to approve Approval Motion 20-09-15 as amended by BOD Motion 06-04-16.

**Motion made by** Lynette Thompson, seconded by.

**Motion passed unanimously.**

*BOD Motion 07-04-16 will be effective January 1, 2017.*

**BOD Motion 08-04-16:** The 2016 ApHC Board of Directors moves to approve Approval Motion 22-09-15 as follows:

#### 790. SHOWMANSHIP AND HORSEMANSHIP/ EQUITATION CLASSES

- A. In all showmanship classes and in all horsemanship/ equitation classes, (except leadline and walk-trot), the judge must first work each exhibitor individually.
- B. Use of markers helps to standardize patterns and guide exhibitors, but they also increase the degree of difficulty somewhat, so their placement should be carefully planned and indicated in the posted pattern, and their placement in the arena well supervised.
- C. The pattern must be posted at least one hour prior to the class commencing.
- D. ~~Failure to complete the pattern will not be a disqualification, but shall be scored accordingly.~~ If a show prepares patterns, the judge(s) must approve use of such patterns.
- E. Except in Walk/ Trot and Novice classes, exhibitors going off pattern will be disqualified.**

*Assign new numbers to remaining portion of the rule.*

- F. In horsemanship/equitation classes exhibitors must work individually using an appropriate test in which they are asked to demonstrate all three gaits. After each exhibitor has been worked individually, the judge may:
- Recall all the exhibitors or just the finalists for rail work.
  - If the judge chooses to recall exhibitors for rail work, the exhibitors must be worked at least one way of the ring demonstrating all three gaits, or
  - Place the class.
- G. A junior horse ridden two-handed in an acceptable snaffle bit or hackamore bosal may be shown in bareback horsemanship, western horsemanship, hunt seat equitation, leadline, or walk-trot.
- H. In horsemanship/equitation classes, for reason of safety, exhibitors will not be required to mount and dismount as part of the individual patterns except in the event a judge wishes to check equipment
- I. In hunt seat equitation classes, the trot and canter patterns must cover a minimum of 60 feet/18.3 meters. In western horsemanship classes, the patterns must be set so that the lope portions of the patterns cover a minimum of 60 feet/18.3 meter

**Motion made by** Leslie Foxvog, seconded by Debby Letham.

Dena Raggio - President	Ray Burchett - No	Debby Letham - Yes
Deb Dyer - No	Terie Clark - Yes	Chuck McWhirter - No
Lesli Glen - Yes	Todd Davis - Yes	Mary Ann Page - Yes
Jim Jirkovsky - Yes	Jack Zuidema - Yes	Lori Richards - Yes
Wiebe Lise - No	David Johnson - Yes	Valerie Showalter - Yes
Todd Michael - No	Leslie Foxvog - Yes	Lynette Thompson - No
Diane Rushing - Yes	Brian Irvin - Absent	

**Motion passed.**

BOD Motion 8-04-16 will be effective January 1, 2017

**BOD Motion 09-04-16:** The 2016 ApHC Board of Directors moves to approve Approval Motion 27-09-15 regarding Rule 502 as follows:

502. GUEST JUDGES PERMIT

...

E. **Guest judge permits shall be good for the calendar year issued only.**

In order to receive Guest Judging status with ApHC, the judge must meet the following conditions a minimum of 30 days prior to judging:

1. Judge must certify their credentials in the appropriate association.
2. Judge must be a current-year ApHC member in good standing.
3. Judge must pass a written ApHC rulebook test. Test may be abbreviated to contain questions pertaining to only those classes offered at the approved show for which the judge is being considered.
4. Judge must agree to abide by all ApHC rules while judging the ApHC-approved event and be subject to all rules contained in the *Official Handbook of the ApHC* including disciplinary rules.

**Intent**—to clarify the length in which a guest judge permit is valid and that permits must be renewed.

**Motion made by** Deb Dyer, seconded by Lesli Glen

**Motion passed unanimously.**

BOD Motion 09-04-16 will be effective January 1, 2017.

**BOD Motion 10-04-16:** The 2016 ApHC Board of Directors moves to approve Approval Motion 28-09-15 regarding Rule 601 as follows:

601. SHOW APPROVAL REQUIREMENTS

**The ApHC offers approval for open division, youth division and non-pro division nationally pointed shows. Shows may offer classes from one or more divisions.**

- A. The rules set forth in this *Official Handbook* shall be used at all approved shows. All shows approved by the ApHC for the awarding of points must be named, called, advertised, listed and otherwise referred to as an ApHC-approved show. All ApHC-approved classes at an ApHC-approved show shall be conducted and judged in accordance with the rules of the ApHC. No show or classes shall be advertised as being approved by the ApHC until all of the above conditions are met in their entirety and approval has been granted by the ApHC in writing and provided to show management.
- B. Show approval is a privilege not a right, granted or rejected at ApHC discretion on an annual basis according to continuous evaluation of the applicant, including but not limited to competence of show management, enforcement of ApHC rules, quality of show and service to ApHC members.

1. Approval does not carry over from year to year and must be obtained for each individual show. The ApHC reserves the right to approve only the number of shows per calendar year it deems appropriate for the same organization or management.

**a. Regional clubs/International affiliates are restricted to requesting approval of one (1) guest judge permit holder to judge per World Nomination Cycle.**

...

- R. All approved shows must use judge(s) that are carded by the ApHC or by an approved organization as listed under GUEST JUDGES. The judge(s)' names shall be published in all printed materials and information pertaining to the show.

a. For a single judge show, the judge shall be carded with the ApHC or may hold judging credentials with an approved organization as listed under GUEST JUDGES.

b. For a double-judge show, one judge must be carded with the ApHC. The other judge may be carded with the ApHC or may hold judging credentials with an approved organization as listed under GUEST JUDGES.

c. For a 3-judge or 4-judge show, one judge may hold judging credential with an approved organization as listed under GUEST JUDGES. All other judges must be carded with the ApHC.

d. Guest judges must meet all requirements listed under GUEST JUDGES in order to be considered for approval to judge an ApHC-approved show.

e. Guest judges may only be contracted to judge shows sponsored or co-sponsored by an ApHC affiliated Regional Club or International Affiliate/Partner.

**f. ~~Regional clubs or international affiliates are limited to contracting a maximum of 3 guest judges per year.~~**

**Motion made by** Debby Letham, seconded by Mary Ann Page

Dena Raggio - President  
Deb Dyer - No  
Lesli Glen - No  
Jim Jirkovsky - No  
Wiebe Lise - No  
Todd Michael - No  
Diane Rushing - No

Ray Burchett - Yes  
Terie Clark - No  
Todd Davis - No  
Jack Zuidema - No  
David Johnson - Yes  
Leslie Foxvog - No  
Brian Irvin - Absent

Debby Letham - No  
Chuck McWhirter - No  
Mary Ann Page - No  
Lori Richards - No  
Valerie Showalter - No  
Lynette Thompson - Yes

**Motion failed.**

**BOD Motion 11-04-16:** The 2016 ApHC Board of Directors moves to amend Approval Motion 31-09-15 regarding Rule 703 as follows:

703. WORLD CHAMPIONSHIP APPALOOSA SHOW

A. QUALIFYING REQUIREMENTS—OPEN CLASSES

...

2. Under the regional club/international partner system, a regional organization or international partner officially recognized as an affiliate in good standing with the ApHC may qualify up to its top nine (9) horses for the World Championship Appaloosa Show in each class. In order for a regional

club or international partner to be eligible to nominate horses for the World Championship Appaloosa Show under this system, that club/partner must have sponsored, or co-sponsored at least one ApHC-approved **point event show which is judged by at least one ApHC-approved judge and is held within that World nomination cycle, i.e. for the 2016 World nomination cycle events are held from September 1, 2015 to August 31, 2016.** In that qualifying year and that regional club or international partner may only nominate horses in classes in which such horses exhibited in that club's or partner's sponsored, pointed or co-sponsored show.

**Motion made by** Deb Dyer, seconded by Debby Letham.  
**Motion passed unanimously.**

*BOD Motion 11-04-16 will be effective January 1, 2017 per BOD Motion 12-04-16*

**BOD Motion 12-04-16:** The 2016 ApHC Board of Directors moves to approve Approval Motion 31-09-15 as amended by BOD Motion 11-04-16.

**Motion made by** Diane Rushing, seconded by Debby Letham.  
**Motion passed unanimously.**

*BOD Motion 31-09-15 as amended by BOD Motion 11-04-16 will be effective January 1, 2017*

**BOD Motion 13-04-16:** The 2016 ApHC Board of Directors moves to approve as amended BOD Motion 35-09-15 with the following corrections (in red).

#### 499. Definitions of terms used when describing ApHC events

- a. **Show(s)**—the term used to describe a group of classes held for the awarding of points by one judge. ~~Example- judge A is one show- Judge B is one show- Judge C is one show- Judge D is one show~~ **One judge is one show. Multiple judges at the same event constitute multiple shows.**
- b. **Event**—the total of the number of shows (judges) being judged concurrently. Example- an event may be ~~a~~ one-judge show, may be ~~a~~ 2 shows or 2 judges judging concurrently, may be 3 shows or 3 judges judging concurrently or may be 4 shows or 4 judges judging concurrently.-
- c. **ApHC Judge**—a person who has been granted credentials ~~thru~~ **by** the ApHC to judge classes that award ApHC points.
- d. **Guest Judge**—A person who does not hold ApHC judge credentials but does hold credentials granted by another approved equine organization ~~that has~~ **and who has been granted the right approval** to judge a lifetime maximum of **two** ApHC approved shows.
- e. **World Qualifying Year**—~~ApHC-approved events held from~~ **September 1 of one year through August 31 of the following year.**

- f. **Year-end Award Point Year**—~~ApHC-approved events held~~ **Jan 1 through Dec 15 in a single calendar year.**

**Motion made by** Debby Letham, seconded by Leslie Foxvog.  
**Motion passed unanimously.**

*BOD Motion 13-04-16 will be effective January 1, 2017.*

**BOD Motion 14-04-16:** The 2016 ApHC Board of Directors moves to Approve BOD Motion 48-09-15 regarding Rule 500 as follows:

#### 500. GENERAL RULES FOR JUDGES

...

- M. The judge at his/her discretion may refuse entry into the arena for improper attire or equipment. Further, a judge may eliminate any horse or exhibitor as an entry which he/she does not feel has legitimately attempted to comply with class rules and procedures. In ~~such~~ **either** case, this entry ~~would~~ **shall** not be counted as an entry for the purpose of determining the number of entries in the class for national points.

**Motion made by** Deb Dyer, seconded by Debby Letham.  
**Motion passed unanimously.**

*BOD Motion 14-04-16 will be effective January 1, 2017.*

**BOD Motion 15-04-16:** The 2016 ApHC Board of Directors moves to Approve BOD Motion 05-12-15 regarding Rule 734.D as follows:

#### 734. ROPE RACE

...

- D. Any horse touching the starting line after the judge signals time and before the starting signal will be disqualified from that heat. One or more horses may be disqualified; however, that heat shall be run. Anyone with a starting line violation will either be eliminated in that heat (**if only one horse is across the line**) or will run immediately for placings and will not advance to any subsequent heats (**if more than one horse is across the line**).
1. **At ApHC-sponsored shows, if there is a line violation, judges are required to review the official show video before final determination is made identifying the horse or horses over the line.**

**Motion made by** Diane Rushing, seconded by Debby Letham.  
**Motion passed unanimously.**

*BOD Motion 15-04-16 will be effective January 1, 2017.*

**BOD Motion 16-04-16:** The 2016 ApHC Board of Directors moves to approve the regional club application for the Pennsylvania Appaloosa Horse Club effective immediately.

**Motion made by** Ray Burchett, seconded by Deb Dyer.  
**Motion passed unanimously.**

*BOD Motion 16-04-16 will be effective January 1, 2017.*

**BOD Motion 17-04-16:** The 2016 ApHC Board of Directors moves to set dates for the 2016 ApHC Board of Directors Election to begin

October 1st at 8:00 am Pacific Time and end October 31st at 5:00 pm Pacific Time.

**Motion made by** Lesli Glen, seconded by Terie Clark.

**Motion passed unanimously.**

**BOD Motion 18-04-16:** The 2016 ApHC Board of Directors moves to approve Planning & Review Committee Recommendation 01-03-2016, to amend Rule 713 and Rule 714 as follows:

### 713. HALTER CLASSES

#### A. Halter Class General Rules

1. Apply to all halter sex and age divisions, most colorful at halter, FPD halter (*see rule 713 C for special rules that apply only to the FPD class*), performance halter, and ranch conformation classes, unless otherwise stated.

...

4. Class Conduct: (*see rule 713 C for special rules that apply only to the FPD class*)

...

#### C. FPD HALTER

##### 1. Class Conduct:

- a. Horses to be judged 40% on color, 60% on conformation, action, substance, quality and manners. Horse must have FPD papers to enter this class. No applications for registration or "work in progress" papers.
- b. Points earned in FPD halter classes will be recorded on the horse's performance record and count toward lifetime awards and year-end medallions.
- c. **Horses to be judged on conformation as described below, overall movement as a riding horse, quality, correctness of action, manners and substance. The FPD class is not a color class, but when 2 horses are equal in all other aspects, the horse with the most easily identified as having Appaloosa coat coloration from approximately 15 feet should be placed over the other.**
- i. **First and foremost shall be a balanced horse that is symmetrical from head to tail. As this horse is destined to be an all round use horse, emphasis should be placed on the horses potential to be a comfortable ride.**

**Head should be well formed and lean giving eye prominence and adding distinction to head appearance.**

**The neck should be clean, with well-defined throat latch. The length of neck should be in balance with the individual, should blend smoothly into the shoulder and should tie into a prominent wither.**

**The shoulder from the point of the shoulder to the withers should be long slop-**

**ing, well defined, ties smoothly and set back well into the withers thus allowing full extension for an easy stride.**

**The overall top line should appear strong, level in height at the top the withers and croup. The withers should be prominent and be the highest point on the horses back to hold a saddle. The heart girth should be deep and proportional to the length of the leg.**

**The back and loin should be strong and tie smoothly into the croup. The croup should be long and smooth turning with a well-placed tail set.**

**The legs should be correctly aligned and square under the body. They should be adequate size of bone and hoof and have sloping patterns that corresponds with angle of the shoulder that allows for maximum shock absorbcency of concussion during performance.**

- d. A sparse mane and or tail shall not be judged against the horse.
- e. Tail attachments, hair to hair or artificial tails or weighted tails are not permitted.
- f. The horse should be free of structural and conformational defects and move straight and true.
- g. Horses will walk to the judge one at a time. As the horse approaches, the judge will step aside to enable the horse to trot straight to a cone placed 50 feet away. At the cone, the horse will continue trotting, turn to the left and trot toward the left wall or fence of the arena. After trotting, horses will be lined up head to tail for individual inspection by the judge.
- h. The judge shall inspect each horse from both sides, front and rear.

### 714. GENERAL PERFORMANCE RULES

...

- B. No horse is to be penalized for the manner in which he carries his tail nor for normal response with his tail to cues from his exhibitor or when changing leads. A judge may at his discretion, penalize a horse for excessive or exaggerated switching or wringing of the tail or for a seemingly dead tail that merely dangles between the legs and does not show normal response.
  1. **Except in FPD classes**, tails may be lengthened by hair-to-hair attachment only, with no attachments of any kind to the tailbone. Artificial tails consisting of fabric and hair are permissible.
  2. **Except in FPD classes**, weighted tails are permissible, provided they meet the following criteria:

...

**Intent:** To encourage greater inclusivity and participation in show events for all types of foundation Appaloosa horses rather than the heavy bodied “halter” structure as presently perceived. To place greater emphasis on an overall “balanced” body structure and good potential riding movement. To allow horses to be shown with their natural mane and tail without discrimination to such. To use color only as the determining factor if 2 horses are equal.

**Motion made by** Diane Rushing, seconded by Mary Ann Page

**Motion passed unanimously.**

*BOD Motion 18-04-16 will appear on the Consent Agenda at the September 2016 ApHC Board of Directors Conference Call.*

**BOD Motion 19-04-16:** The 2016 ApHC Board of Directors accepts Rules Committee Recommendation 01-04-16 as follows:

Change the equipment and attire rules for all ranch classes to be consistent in all classes across the division.

Delete 721.H & L, Delete 724.L.2, Delete 720.C. Replace all with the following, except #6 should be included in the ranch trail rules only.

#### **Ranch Class Apparel and Equipment:**

**Attire and tack should be clean and presentable. Working tack is encouraged.**

1. Hoof polish is discouraged.
2. **No braided or banded manes** or tail extensions.
3. Trimming inside ears is discouraged.
4. Trimming bridle path is allowed, also trimming of fetlocks or excessive long facial hair.
5. Equipment with silver should not count over a good working outfit. Silver bridles and saddles are discouraged.
6. In Ranch Trail, exhibitors should outfit horse with a breast collar and back cinch for safety.

**Motion made by** Debby Letham, seconded by Leslie Foxvog.

**Motion passed unanimously.**

*BOD Motion 19-04-16 will appear on the Consent Agenda at the September 2016 ApHC Board of Directors Conference Call.*

**BOD Motion 20-06-16:** The 2016 ApHC Board of Directors moves to accept Rules Committee Recommendation 02-04-16 regarding Rule 773.g.2 as follows:

#### 773. JUMPING

...

#### G. SCORING

...

#### 2. Disobediences:

...

- g. First disobedience (anywhere on the course), 4 faults
- h. Second disobedience (anywhere on the course), 4 faults

**Motion made by** Debby Letham, seconded by Leslie Foxvog.

**Motion passed unanimously.**

*BOD Motion 20-04-16 will appear on the Consent Agenda at the September 2016 ApHC Board of Directors Conference Call.*

**BOD Motion 21-04-16:** The 2016 ApHC Board of Directors accepts Rules Committee Recommendation 03-04-16 regarding Rule 421 as follows:

421. CHALLENGED HORSEMEN AND APPALOOSA COMPETITION FOR INDEPENDENT & SUPPORTED EXHIBITORS (CHAPS)

...

#### J. GENERAL RULES FOR TACK AND EQUIPMENT...

1. Helmet. **It is mandatory that** exhibitors ~~must~~ wear a properly fitted and fastened with harness **helmet that meets ASTM/SEI standards or equivalent international standards for equestrian use.** ~~approved protective helmet.~~ A western hat may be affixed over the helmet in western events. Equipment should conform to the riding ability of the competitor and be suitable for the horse. **ApHC makes no representation or warranty, express or implied, about any protective headgear, and cautions exhibitors that death or serious injury may result despite wearing such headgear as all equestrian sports involve inherent dangerous risks and as no helmet can protect against all foreseeable injuries.**

**Motion made by** Debby Letham, seconded by Deb Dyer.

**Motion passed unanimously.**

*BOD Motion 21-04-16 will appear on the Consent Agenda at the September 2016 ApHC Board of Directors Conference Call.*

**BOD Motion 22-04-16:** The 2016 ApHC Board of Directors moves to accept Rules Committee Recommendation 04-04-16 for a process to expedite transfers of ownership for ApHC members in Europe, whereby a designated ApHC-Germany representative would coordinate with ApHC Registration Department to verify all related documents and, upon receiving authorization from ApHC, update the original Certificate of Registration with the new owner information and complete the process in-country as follows:

Owners in Europe could submit their paperwork – original registration, signed transfer, etc. – to a specific contact person within Appaloosa Horse Club Germany.

- The German office would “certify” the documents as original and legitimate and send a digital version to the ApHC.
- ApHC would verify the documents and enter the information in our system and allow the German office to produce a label with new owner’s information.
- ApHC would receive a digital version of the updated document, receive payment for the transfer and authorize the German office to mail the updated document to the owner.

**Motion made by** Wiebe Lise, seconded by Diane Rushing.

**Motion passed unanimously.**

*BOD Motion 22-04-16 will appear on the Consent Agenda at the September 2016 ApHC Board of Directors Conference Call.*



**BOD Motion 23-04-16:** The 2016 ApHC Board of Directors moves to accept Rules Committee recommendation 05-04-16 regarding Rule C as follows:

791. SHOWMANSHIP AT HALTER: WESTERN

- ...
- C. The conduct of the classes shall be at the judge's discretion and direction. ~~The judge may require any maneuver he/she feels necessary to determine the ability of the exhibitor.~~ **The following maneuvers are considered acceptable:**

1. Lead the horse at a walk, jog, trot or extended trot.
2. Back in a straight or curved line, or a combination of straight and curved lines.
3. Stop.
4. Turn 90 (1/4), 180 (1/2), 270 (3/4), 360 (full turn) degrees or any combination or multiple of these turns. The pull turn is an unacceptable maneuver.
5. The judge must have exhibitors set the horse up squarely for inspection sometime during the class.

Motion made by Deb Dyer, seconded by Debby Letham.  
Motion passed unanimously.

*BOD Motion 23-04-16 will appear on the Consent Agenda at the September 2016 ApHC Board of Directors Conference Call.*

**BOD Motion 24-04-16:** The 2016 ApHC Board of Directors moves to accept Rules Committee Recommendation 08-04-16 regarding Rule C as follows:

792. SHOWMANSHIP AT HALTER: ENGLISH

- C. The conduct of the classes shall be at the judge's discretion and direction. **The following maneuvers are considered acceptable:**

1. Lead the horse at a walk, jog, trot or extended trot.
2. Back in a straight or curved line, or a combination of straight and curved lines.
3. Stop.
4. Turn 90 (1/4), 180 (1/2), 270 (3/4), 360 (full turn) degrees or any combination or multiple of these turns. The pull turn is an unacceptable maneuver.
5. The judge must have exhibitors set the horse up squarely for inspection sometime during the class.

Motion made by Lynette Thompson, seconded by Mary Ann Page.  
Motion passed unanimously.

*BOD Motion 22-04-16 will appear on the Consent Agenda at the September 2016 ApHC Board of Directors Conference Call.*

**BOD Motion 25-04-16:** The 2016 ApHC Board of Directors moves to accept Rules Committee Recommendation 09-04-16 regarding the addition of Rule 795.B.10, 796 D.11 and 797.D.12 and 797.D.13 as follows:

795. BAREBACK HORSEMANSHIP

- ...
- B. Individual work must be comprised of any of the following:

...  
**10. Leg Yield**

796. WESTERN HORSEMANSHIP

- ...
- D. Individual work must be comprised of any of the following:

...  
**11. Leg Yield**

797. HUNT SEAT EQUITATION

- ...
- D. Individual work must be comprised of any of the following:

...  
**12. Leg Yield**

**13. Sidepass and Sitting Trot**

Motion made by Debby Letham, seconded by Deb Dyer  
Motion passed unanimously.

*BOD Motion 23-04-16 will appear on the Consent Agenda at the September 2016 ApHC Board of Directors Conference Call.*

**BOD Motion 26-04-16:** The 2016 ApHC Board of Directors moves to accept Rules Committee Recommendation 10-04-16 to amend Rule F as follows:

702. NATIONAL AWARDS

- ...
- F. ApHC Versatility Champion  
A certificate for a Superior Event horse will be awarded when a horse receives the following points in each event.

...

Ranch Rail .....	100
Ranch Trail.....	100
Ranch Riding .....	100

Motion made by Ray Burchett, seconded by Jim Jirkovsky  
Motion passed unanimously.

*BOD Motion 26-04-16 will appear on the Consent Agenda at the September 2016 ApHC Board of Directors Conference Call.*

**BOD Motion 27-04-16:** The 2016 ApHC Board of Directors moves to accept Rules Committee Recommendation 11-04-16 regarding Rule D as follows:

710. NATIONAL POINT SYSTEM

Need to add the following classes to 710.D to determine the number of points required to be earned in each non-pro class to qualify for the World Show. Suggested:

...

D. RANCH CLASSES

Ranch Rail Pleasure ..... 2

Ranch Trail ..... 3

Ranch Riding ..... 3

Jumping ..... 2

Motion made by Debby Letham, seconded by Deb Dyer.

Motion passed unanimously.

BOD Motion 27-04-16 will appear on the Consent Agenda at the September 2016 ApHC Board of Directors Conference Call.

**BOD Motion 28-04-16:** The 2016 ApHC Board of Directors moves to accept Rules Committee Recommendation 12-04-16 to amend Rule 724 as follows:

724. RANCH TRAIL

...

L. RANCH HORSE TRAIL

1. Open to horses three years of age and older.

Renumber rest of rule.

Motion made by Ray Burchett, seconded by Jim Jirkovsky.

Motion passed unanimously.

BOD Motion 28-04-16 will appear on the Consent Agenda at the September 2016 ApHC Board of Directors Conference Call.

**BOD Motion 29-04-16:** The 2016 ApHC Board of Directors moves to accept Rules Committee Recommendation 13-04-16 regarding Rule 744 as follows:

744. BOXING

...

D. Boxing Cow Work Penalties

3. Five (5) Points

a. ~~Spurring or hitting in front of the cinch at any time.~~

4. Zero (0) score:

...

m. Spurring or hitting in front of the cinch at any time.

Motion made by Debby Dyer, seconded by Debby Letham.

Motion passed unanimously.

BOD Motion 26-04-16 will appear on the Consent Agenda at the September 2016 ApHC Board of Directors Conference Call.

**BOD Motion 30-04-16:** The 2016 ApHC Board of Directors moves to accept Rules Committee Recommendation 14-04-16 to amend Rule 715 as follows:

715. WESTERN PERFORMANCE

...

2. References to a hackamore/bosal mean the use of a flexible braided rawhide or leather, or rope bosal, round

in shape, which can be used in lieu of a snaffle bit, ~~the core of which must be rawhide~~. Absolutely no rigid material or metal will be permitted under the jaws or on the noseband, regardless of how padded or covered. The bosal must be no larger than .7" (1.9 cm) in diameter at the cheek, to be measured as indicated in diagram #3. There must be a minimum of one finger space (approximately 1.7" (3.81 cm)) between the bosal and the nose. The bosal should be properly fitted relative to the horse's size and conformation. Horse hair bosals are not permitted. All bosals must use a mecate rein which must include a tie-rein (except in bareback horsemanship where a mecate rein is prohibited). This rule is not in reference to the mechanical hackamore. A mecate may only be used with a bosal.

*Change suggested based upon information obtained at Color Breed Council judges' seminar. Rule still contains the language regarding no rigid material or metal. Additionally, rope bosals do not have a rawhide core.*

Motion made by Lesli Glen, seconded by Teri Clark.

Motion passed unanimously.

BOD Motion 30-04-16 will appear on the Consent Agenda at the September 2016 ApHC Board of Directors Conference Call.

**BOD Motion 31-04-16:** The 2016 ApHC Board of Directors moves to accept Rules Committee Recommendation 15-04-16 regarding Rule 716 as follows:

716. REINING

...

C. SCORING

...

1. Excess rein may be straightened anytime during the pattern, provided the rider's free hand remains behind the rein hand. ~~at any place a horse is allowed to be completely stopped during a pattern. Any attempt to alter tension or length of the reins from bridle to the rein hand is to be considered use of two hands and a penalty score of 0 will be applied. In addition, should the judge determine the free hand is being used to instill fear or praise, a penalty 5 will be applied, and a reduction in the maneuver score.~~ When using a romal, no finger between the reins is allowed. The free hand may be used to hold the romal, provided it is held at least 16" (40.64 cm) from the reining hand and in a relaxed position. Use of the free hand while holding the romal, to alter the tension or length of the reins from the bridle to the reining hand, is considered to be the use of two hands, and score of 0 will be applied.

Motion made by Jim Jirkovsky, seconded by Ray Burchett.

Motion passed unanimously.

BOD Motion 31-04-16 will appear on the Consent Agenda at the September 2016 ApHC Board of Directors Conference Call.

**BOD Motion 32-04-16:** The 2016 ApHC Board of Directors moves to approve changes to Rule 719 as follows in effort to be more consistent.

719. YEARLING LONGE LINE

...

- F. Class Format: The class will consist of two parts: 1) a longeing demonstration lasting one and one-half minutes (90 seconds) and 2) a conformation inspection.

...

- 4. Once the class has started, a horse warming up prior to their go may only warm up at a walk.**

...

- H. Scoring: The official longe line scoring sheet provided by the ApHC may be used. The horse with the highest score is the winner, with the maximum possible total score of 60 with 30 being average. The judged shall have the sole discretion to use their own personal preference to break any ties that occur as a result of the scoring system.

...

5. Penalties and Disqualifications

- a. ~~Five-point penalty: Failure to demonstrate the correct lead, jog or trot for an adequate distance to allow for proper evaluation of gait. Five (5)-point penalties will occur per directions:~~
- 1) Failure to walk a minimum of two horse lengths**
  - 2) Failure to jog/trot a minimum of ¼ (quarter) of a circle**
  - 3) Failure to demonstrate the correct lead for a minimum of ¼ (quarter) of a circle**

**Motion made by** Debby Letham, seconded by Deb Dyer.  
**Motion passed unanimously.**

*BOD Motion 32-04-16 will appear on the Consent Agenda at the September 2016 ApHC Board of Directors Conference Call.*

**BOD Motion 33-04-16:** The 2016 ApHC Board of Directors moves to accept Rules Committee Recommendation 17-04-16 regarding Rule 717 as follows:

717. WESTERN RIDING

...

- F. An exhibitor will be penalized:

...

3. One (1) point:

...

- e. Hind legs skipping or coming together during lead change.**

4. One half (1/2) point:

- ~~b. Hind legs skipping or coming together during lead change.~~

*Assign new letters to remainder of 717.F.4*

**Motion made by** Lesli Glen, seconded by Valerie Showalter.

**Motion passed unanimously.**

*BOD Motion 33-04-16 will appear on the Consent Agenda at the September 2016 ApHC Board of Directors Conference Call.*

**BOD Motion 34-04-16:** The 2016 ApHC Board of Directors moves to accept Rules Committee Recommendation 18-04-16 to ~~add Rule~~ as follows:

716. REINING

...

C. SCORING

...

- 2. In patterns requiring a run-around, failure to be on the correct lead when rounding the end of the arena will be penalized as follows: for 1/2 the turn or less, one point; for more than 1/2 turn, two points.**
- 3. In a pattern requiring a run around, there will be a ½ point penalty for failure to remain a minimum of 10 feet from either side of the center of the arena; for small arenas, this penalty is at the discretion of the judge(s).**

*Renumber rest of Rule*

**Motion made by** Ray Burchett, seconded by Jim Jirkovsky.

**Motion passed unanimously**

*BOD Motion 34-04-16 will appear on the Consent Agenda at the September 2016 ApHC Board of Directors Conference Call.*

**BOD Motion 35-04-16:** The 2016 ApHC Board of Directors moves to accept Rules Committee Recommendation 19-04-16 to add reining pattern instructions for patterns 2,4,5,6 & 8 as follows:

**“Horse must walk or stop prior to starting pattern.”**

**Motion made by** Lori Richards, seconded by

**Motion passed unanimously.**

*BOD Motion 32-04-16 will appear on the Consent Agenda at the September 2016 ApHC Board of Directors Conference Call.*

**BOD Motion 36-04-16:** The 2016 ApHC Board of Directors moves to accept Rules Committee Recommendation 20-04-16 to add reining patterns 11, 12 & 13 as seen in Attachment A.

**Motion made by** Chuck McWhirter, seconded by Lori Richards.

**Motion passed unanimously**

*BOD Motion 36-04-16 will appear on the Consent Agenda at the September 2016 ApHC Board of Directors Conference Call.*

**BOD Motion 37-04-16:** The 2016 ApHC Board of Directors moves to accept Rules Committee Recommendation 21-04-16 to replace current working cow horse pattern 6 with that contained in Rules Committee Attachment B to be consistent with NRCHA and other breed associations. Also add pattern instructions as broken down in maneuver groups also as seen in Attachment B.

**Motion made by** Chuck McWhirter, seconded by Lori Richards.  
**Motion passed unanimously**

*BOD Motion 37-04-16 will appear on the Consent Agenda at the September 2016 ApHC Board of Directors Conference Call.*

**BOD Motion 38-04-16:** The 2016 ApHC Board of Directors moves to accept Rules Committee Recommendation 23-04-16 to add the following:

807. YOUTH WALK-TROT DIVISION

...

**C. This class is limited to exhibitors 11-18 years, who do not participate in any approved classes except Showmanship, Heritage and classes contained in the 10 & Under Walk/ Trot division which include:**

- a. **Walk/ Trot equitation classes (Western Horsemanship, Hunt Seat Equitation)**
- b. **Walk/ Trot pleasure classes (Western Pleasure, Hunter Under Saddle)**
- c. **Walk/ Trot Trail**

**Motion made by** Deb Dyer, seconded by Diane Rushing  
**Motion passed unanimously**

*BOD Motion 38-04-16 will appear on the Consent Agenda at the September 2016 ApHC Board of Directors Conference Call.*

**BOD Motion 39-04-16:** The 2016 ApHC Board of Directors moves to amend Planning and Review Committee Proposal to restructure Board Committees to add a Membership Committee and Advisory Committee. See *Attachment C*.

**Motion made by** Deb Dyer, seconded by Terie Clark.  
**Motion passed unanimously**

**BOD Motion 40-04-16:** The 2016 ApHC Board of Directors moves to accept Planning and Review Committee Proposal for committee restructure as amended in BOD Motion 39-06-16.

**Motion made by** Todd Michael, seconded by Lynette Thompson.  
**Motion passed unanimously**

*BOD Motion 39-04-16 will be effective January 1, 2017.*

**BOD Motion 41-04-16:** The 2016 ApHC Board of Directors moves to amend Rule 219 as follows:

219. STALLION BREEDING REPORT

...

**M. All stallions must have DNA results from an ApHC-approved laboratory using ApHC-approved testing procedures or a DNA waiver must on file with the ApHC by submission of their in order for the ApHC to accept a stallion breeding report for any breeding year. Must be DNA tested and the results must be filed with the ApHC.**

**Motion made by** Todd Michael, seconded by Diane Rushing.  
**Motion passed unanimously**

*BOD Motion 41-04-16 will appear on the Consent Agenda at the September 2016 ApHC Board of Directors Conference Call.*

**BOD Motion 42-04-16:** The 2016 ApHC Board of Directors moves to accept Planning & Review Committee Recommendation 04-04-16 to move forward to review two proposals for a convention to be held in 2017 within one month of May 1st with a potential tie to sponsorship.

**Motion made by** Todd Michael, seconded by Leslie Foxvog.  
**Motion passed unanimously**

**BOD Motion 43-04-16:** The 2016 ApHC Board of Directors moves to accept Finance Committee Recommendation 01-04-16 to approve the budget as presented.

**Motion made by** Ray Burchett, seconded by Mary Ann Page.  
**Motion passed unanimously**

**BOD Motion 44-04-16:** The 2016 ApHC Board of Directors moves to fill the vacancy in Territory V, Zone A, on the ApHC Board of Directors resulting from the resignation of Brian Irvin as of April 30, 2016, the ApHC Board of Directors moves (i) under ApHC Bylaw Article IV, Section 10 to conduct a special election in conjunction with the regular election of ApHC Directors in 2016, (ii) under ApHC Bylaw Article IV, Section 2.C. to establish the deadline for filing nomination petitions for the special election as the 1st day of July, 2016 and (iii) under ApHC Article IV, Section 2.D. to establish the membership eligibility deadline for the special election as August 31, 2016.

**Motion made by** Debby Letham, seconded by Leslie Foxvog.  
**Motion passed unanimously**

**BOD Motion 45-04-16:** The 2016 ApHC Board of Directors moves to add Rule 745.Q as follows:

745. GENERAL RULES FOR ROPING CLASSES

...

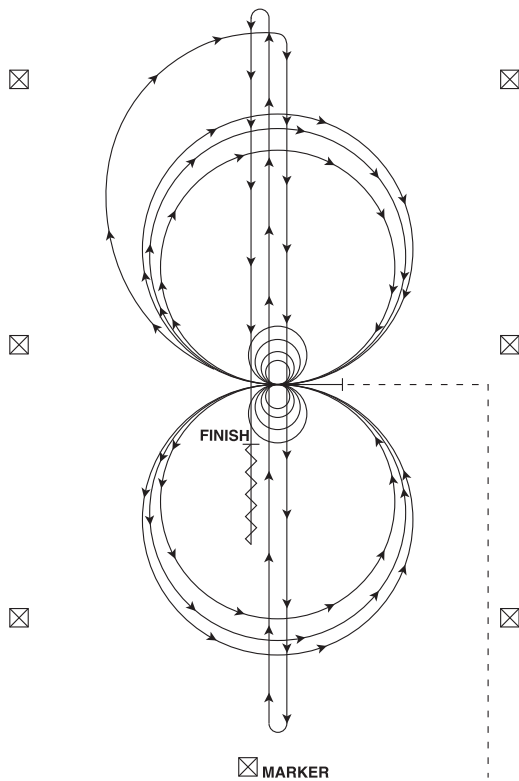
**Q. If the judges (or a majority of judges in a multi-judge show) determine that a roping calf or steer should be removed from continuing in the class draw due to reasons of injury, health or lack of quality of the animal and if the judge or judges determine that this has adversely affected the run of the calf roper or team ropers that just completed a run with that calf or steer, the judge or judges shall award a re-run and a new calf or steer to the calf roper or team ropers. If there is a draw for stock in the class, the re-run shall occur at the end of the class. If the cattle are chute-run, the re-run shall occur immediately.**

**Motion made by** Jim Jirkovsky seconded Leslie Glen.  
**Motion passed unanimously**

*BOD Motion 38-04-16 will appear on the Consent Agenda at the September 2016 ApHC Board of Directors Conference Call.*

# ATTACHMENT A

## REINING PATTERN 11

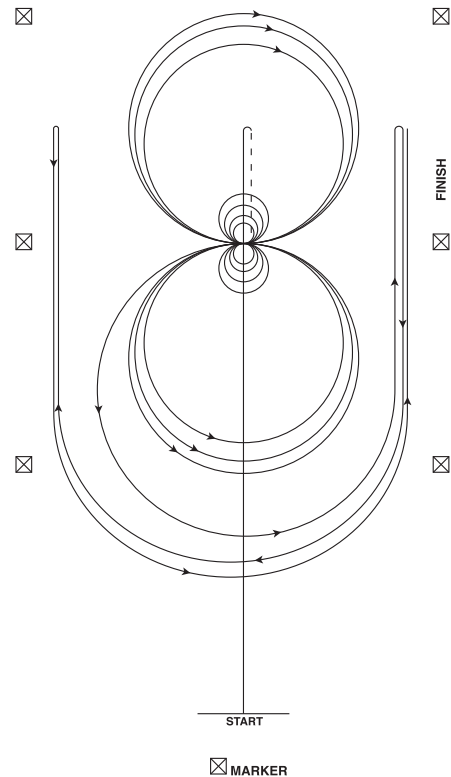


Horses must jog the majority of the way to the center. Failure to jog the majority of the way to the center will result in a 0 for failure to complete the pattern as written. Horses must walk or stop prior to starting pattern.

Beginning at the center of the arena facing the left wall or fence.

1. Complete four spins to the left. Hesitate.
2. Complete four spins to the right. Hesitate.
3. Beginning on the right lead, complete three circles to the right; the first circle small and slow; the next two circles large and fast. Change leads at the center of the arena.
4. Complete three circles to the left; the first circle small and slow; the next two circles large and fast. Change leads at the center of the arena.
5. Begin a large circle to the right, but do not close this circle. Run down the center of the arena past the end marker and do a right roll-back - no hesitation.
6. Run up the middle to the opposite end of the arena past the end marker and do a left rollback - no hesitation.
7. Run past the center marker and do a sliding stop. Back up to the center of the arena or at least 10 feet (3 meters). Hesitate to demonstrate completion of the pattern.

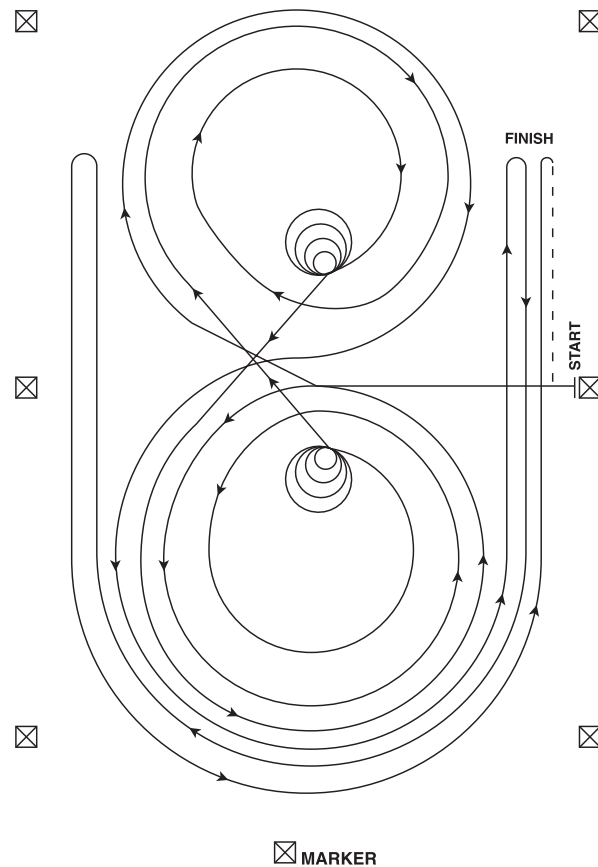
## REINING PATTERN 12



1. Run past the center marker and do a sliding stop. Back up to the center of the arena or at least 10 feet (3 meters). Hesitate.
2. Complete four spins to the right.
3. Complete four and one-quarter spins to the left so that the horse is facing the left wall or fence. Hesitate.
4. Beginning on the left lead, complete three circles to the left: the first two circles large and fast; the third circle small and slow. Change leads at the center of the arena.
5. Complete three circles to the right: the first two circles large and fast; the third circle small and slow. Change leads at the center of the arena.
6. Begin a large fast circle to the left but do not close the circle. Run up the right side of the arena past the center marker and do a right rollback at least 20 feet (6 meters) from the wall or fence - no hesitation.
7. Continue back around previous circle but do not close the circle. Run up the left side of the arena and past the center marker and do a left rollback at least 20 feet (6 meters) from the wall or fence - no hesitation.
8. Continue back around previous circle but do not close this circle. Run up the right side of the arena past the center marker and do a sliding stop at least 20 feet (6 meters) from the wall or fence.

*Rider may drop bridle to the designated judge.*

## REINING PATTERN 13



Horses must walk or stop prior to starting pattern.

Beginning at the center of the arena facing the left wall or fence.

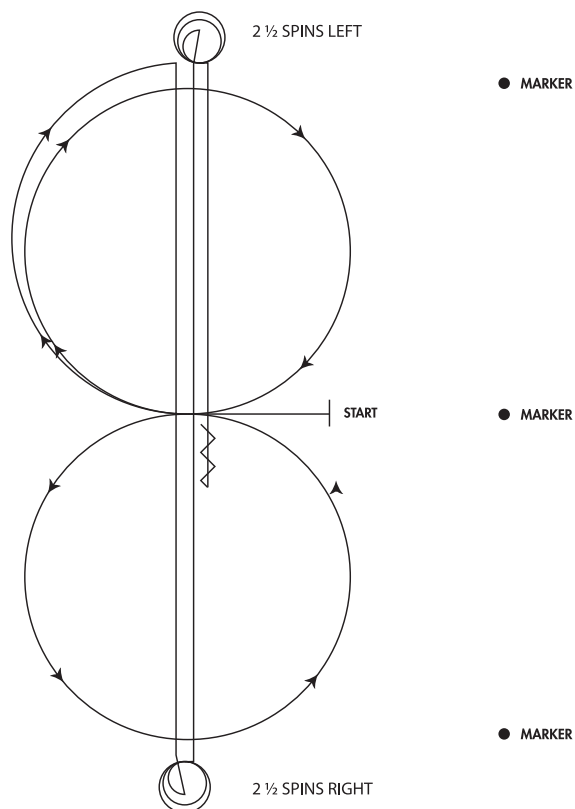
1. Beginning on the left lead, complete two circles to the left: the first circle large and fast; the second circle small and slow. Stop at the center of the arena.
2. Complete four spins to the left. Hesitate.
3. Beginning on the right lead, complete two circles to the left: the first circle large and fast; the second circle small and slow. Stop at the center of the arena.
4. Complete four spins to the right. Hesitate.
5. Beginning on the left lead, run a large fast circle to the right, and change leads at the center of the arena.
6. Continue around previous circle to the left but do not close this circle. Run up the right side of the arena past the center marker and do a right rollback at least 20 feet (6 meters) from the wall or fence - no hesitation.
7. Continue around previous circle to the left but do not close this circle. Run up the left side of the arena past the center marker and do a right rollback at least 20 feet (6 meters) from the wall or fence - no hesitation.
8. Continue back around previous circle but do not close this circle. Run up the right side of the arena past the center marker and do a sliding stop at least 20 feet (6 meters) from the wall or fence. Back up at least 10 feet (3 meters).

Hesitate to demonstrate completion of the pattern.

*Rider may drop bridle to the designated judge.*

# ATTACHMENT B

## WORKING COW HORSE PATTERN 6



Trot to center of arena, stop. Start pattern facing towards judge.

1. Beginning on the right lead lope one circle to the right. Change leads to the left.
2. Complete on circle to the left. Change leads to the right and go to the top of the arena.
3. Run down center of arena past the end marker and come to a sliding stop.
4. Complete 2 1/2 spins to the right.
5. Run to the other end of the arena, past the end marker and come to a sliding stop.
6. Complete 2 1/2 spins to the left.
7. Run past the center marker, stop, back at least 10 feet

Hesitate to complete pattern

### Pattern 6

- |                      |                     |
|----------------------|---------------------|
| 1. Right circle      | 5. Stop             |
| 2. Left circle       | 6. 2 1/2 left spins |
| 3. Stop              | 7. Stop and back up |
| 4. 2 1/2 right spins |                     |

\*This pattern may be used as a lope-in pattern; refer to SHW505.2.

The Working Cow Horse patterns are divided into sets of seven maneuver groups, which are scored as described below. These patterns break down as follows:

### PATTERN 1

1. Stop and back up and 1/4 turn
2. Right Circles
3. Left Circles
4. Stop
5. 3 1/2 right spins
6. Stop
7. 3 1/2 left spins

### \*PATTERN 2

1. Left circles
2. Right circles
3. Stop
4. 3 1/2 left spins
5. Stop
6. 3 1/2 right spins
7. Stop and back up

### \*PATTERN 3

1. Right circles
2. Left circles
3. Stop
4. 3 1/2 right spins
5. Stop
6. 3 1/2 left spins
7. Stop and back up

### PATTERN 4

1. Stop
2. 3 1/2 left spins
3. Stop
4. 3 1/2 right spins
5. Stop and back up and 1/4 turn
6. Right circles and left circles
7. Stop

### PATTERN 5

1. Stop and back up and 1/4 turn
2. Left circles
3. Right circles
4. Stop
5. 3 1/2 right spins
6. Stop
7. 3 1/2 left spins

### \*PATTERN 6

1. Right circle
2. Left circle
3. Stop
4. 2 1/2 right spins
5. Stop
6. 2 1/2 left spins
7. Stop and back up

### \*PATTERN 7

1. Right circles
2. Left circles
3. Stop
4. 3 1/2 right spins
5. Stop
6. 3 1/2 left spins
7. Stop and back up

### \*PATTERN 8

1. Left circles
2. Right circles
3. Stop
4. 3 1/2 left spins
5. Stop
6. 3 1/2 right spins
7. Stop and back up

### \*PATTERN 9

1. Right circles
2. Left circles
3. Stop
4. 3 1/2 left spins
5. Stop
6. 3 1/2 right spins
7. Stop and back up

### \*PATTERN 10

1. Left circles
2. Right circles
3. Stop
4. 3 1/2 left spins
5. Stop
6. 3 1/2 right spins
7. Stop and back up

### \*PATTERN 11

1. Left circles
2. Right circles
3. Stop
4. 3 1/2 left spins
5. Stop
6. 3 1/2 right spins
7. Stop and back up

### \*PATTERN 12

1. Right circles
2. Left circles
3. Stop
4. 3 1/2 left spins
5. Stop
6. 3 1/2 right spins
7. Stop and back up

# ATTACHMENT C

---

## ApHC COMMITTEES

*Report of the ad hoc committee on ApHC committee structure*

### EXECUTIVE COMMITTEE

*Recommendation:* Maintain the current number of six and avoid a bylaw change: President, Vice President, Chairs of Finance, Planning & Review, Rules and Marketing Committees.

### FINANCE COMMITTEE

### PLANNING & REVIEW COMMITTEE

### RULES COMMITTEE

### MARKETING COMMITTEE

*Recommendation:* Redefine the Marketing Committee and its mission.  
Sponsorship Support/Relations • Advisory Group Sale/Stallion • Service Auction Registry Advisory Group

---

### REGIONAL CLUBS/INTERNATIONAL COMMITTEE

Regional Club/International Advisory Group

### SHOW & TRAIL COMMITTEE

Sponsored & Approved Shows  
Trail/Distance/ACAAP  
Exhibitors/Show Advisory Group  
Recreational Riding Advisory Group  
Distance Riding Advisory Group

### NON-PRO/YOUTH COMMITTEE

Non-Pro Advisory Group  
AYA Board and its advisors serve as a Youth Program Advisory Committee

### JUDGES COMMITTEE

Judges Advisory Group

### MEMBERSHIP COMMITTEE

Membership Advisory Group

**Optimum size of ApHC committees would be FIVE OR SIX directors per committee.**

*A director and a staff member would be designated as liaison for each advisory committee. Our goal is more active involvement of advisory groups so that ideas and recommendations can come from a larger (but more focused) sample of the membership.*